

### Features

- Long-life elastomer diaphragm
- High-quality snap-action switch
- Fingertip adjustment
- Visual calibration
- Economical
- Quick delivery

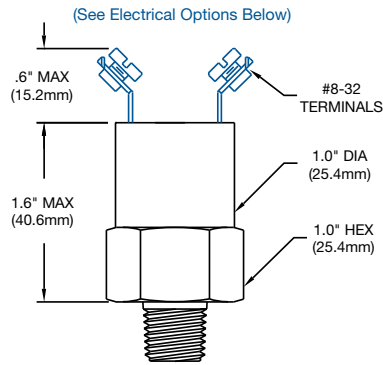
### Operating Specifications

<b>Set Point Range</b>	2 – 120 PSI	(.14 – 8.3 Bar)
<b>Set Point Tolerance</b>	±1 PSI or 5%	(.07 Bar)
<b>Maximum Operating Pressure</b>	250 PSI	(17 Bar)
<b>Proof Pressure</b>	750 PSI	(51 Bar)
<b>Differential</b>	10 – 20%	
<b>Current Rating</b>	10 A @ 125/250 VAC	5 A @ 30 VDC
<b>Media Connection</b>	1/8" NPT Male Brass	
<b>Circuit Form</b>	SPDT	
<b>Electrical Connection</b>	1/4" Blades	
<b>Diaphragm Material</b>	Buna N	
<b>Cycle Life</b>	1 Million	

### In-Stock Low Pressure Switches



<b>Model</b>	SQ-1	SQ-2	SQ-3
<b>Adjustment Range</b>	2 – 10 PSI	6 – 30 PSI	20 – 120 PSI



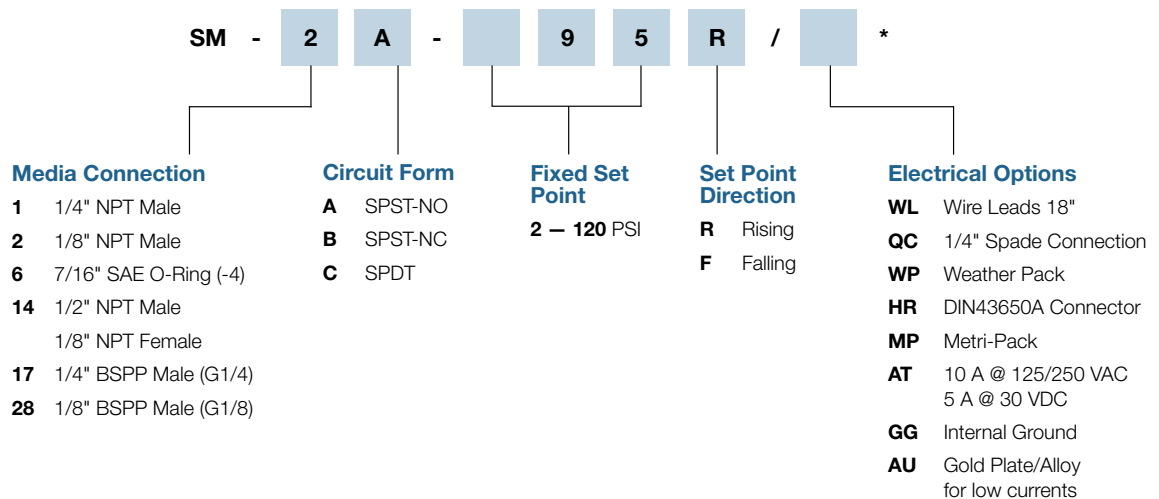
### Features

- Long-life elastomer diaphragm
- High-quality snap-action switch
- Factory preset
- Available in a wide range of configurations
- Economical
- Pneumatic and hydraulic applications
- NEMA 4, 13

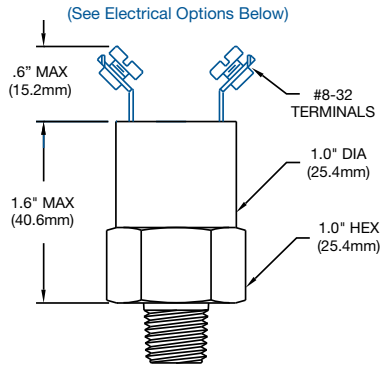
### Operating Specifications

<b>Set Point Range</b>	2 — 120 PSI	(.14 — 8.3 Bar)
<b>Set Point Tolerance</b>	±1 PSI or 5%	(.07 Bar)
<b>Maximum Operating Pressure</b>	250 PSI	(17 Bar)
<b>Proof Pressure</b>	750 PSI	(51 Bar)
<b>Differential</b>	8 — 16%	
<b>Current Rating</b>	5 A @ 250 VAC	5 A @ 30 VDC (Resistive)
<b>Media Connection</b>	See Order Chart Below for Options	
<b>Circuit Form</b>	SPST-NO or SPST-NC	
<b>Electrical Connection</b>	See Order Chart Below for Options	
<b>Diaphragm Material</b>	Buna N	
<b>Cycle Life</b>	1 Million	

### How to Order (Example: Part Number: **SM - 2A - 95R / \***)



\* Defaults to Screw Terminals



### Features

- Long-life elastomer diaphragm
- High-quality snap-action switch
- Factory preset
- Available in a wide range of configurations
- Economical
- Pneumatic and hydraulic applications
- NEMA 4, 13

### Operating Specifications

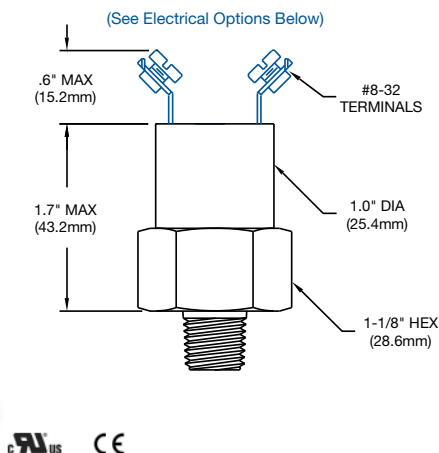
<b>Set Point Range</b>	2 — 120 PSI	(.14 — 8.3 Bar)
<b>Set Point Tolerance</b>	±1 PSI or 5%	(.07 Bar)
<b>Maximum Operating Pressure</b>	600 PSI	(41 Bar)
<b>Proof Pressure</b>	1800 PSI	(124 Bar)
<b>Differential</b>	8 — 16%	
<b>Current Rating</b>	5 A @ 250 VAC	5 A @ 30 VDC (Resistive)
<b>Media Connection</b>	See Order Chart Below for Options	
<b>Circuit Form</b>	SPST-NO or SPST-NC	
<b>Electrical Connection</b>	See Order Chart Below for Options	
<b>Diaphragm Material</b>	Buna N	
<b>Cycle Life</b>	1 Million	

### How to Order (Example: Part Number: **MM - 6A - 80R / WL** \*)

<b>MM - 6 A - 8 0 R / WL *</b>	
<p><b>Media Connection</b></p> <p><b>1</b> 1/4" NPT Male</p> <p><b>2</b> 1/8" NPT Male</p> <p><b>6</b> 7/16" SAE O-Ring (-4)</p> <p><b>14</b> 1/2" NPT Male 1/8" NPT Female</p> <p><b>17</b> 1/4" BSPP Male (G1/4)</p> <p><b>28</b> 1/8" BSPP Male (G1/8)</p>	<p><b>Circuit Form</b></p> <p><b>A</b> SPST-NO</p> <p><b>B</b> SPST-NC</p> <p><b>C</b> SPDT</p>
<p><b>Fixed Set Point</b></p> <p><b>2 — 120</b> PSI</p>	<p><b>Set Point Direction</b></p> <p><b>R</b> Rising</p> <p><b>F</b> Falling</p>
<p><b>Electrical Options</b></p> <p><b>WL</b> Wire Leads 18"</p> <p><b>QC</b> 1/4" Spade Connection</p> <p><b>WP</b> Weather Pack</p> <p><b>HR</b> DIN43650A Connector</p> <p><b>MP</b> Metri-Pack</p> <p><b>AT</b> 10 A @ 125/250 VAC 5 A @ 30 VDC</p> <p><b>GG</b> Internal Ground</p> <p><b>AU</b> Gold Plate/Alloy for low currents</p>	

For more media connections, see pages 23-24.  
For more electrical connections, see page 7.

\* Defaults to Screw Terminals



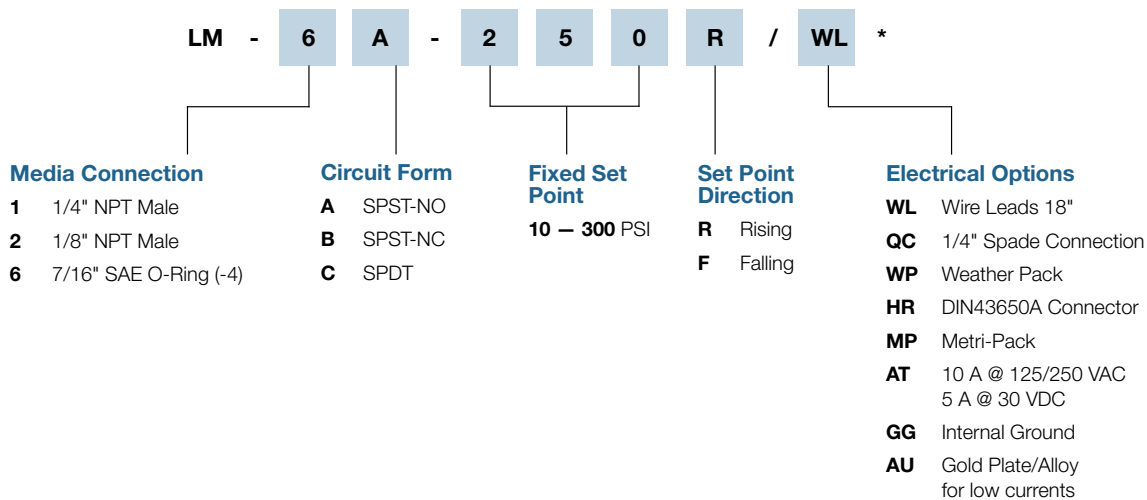
**Features**

- Long-life elastomer diaphragm
- High-quality snap-action switch
- Factory preset
- Available in a wide range of configurations
- Economical
- Pneumatic and hydraulic applications
- NEMA 4, 13

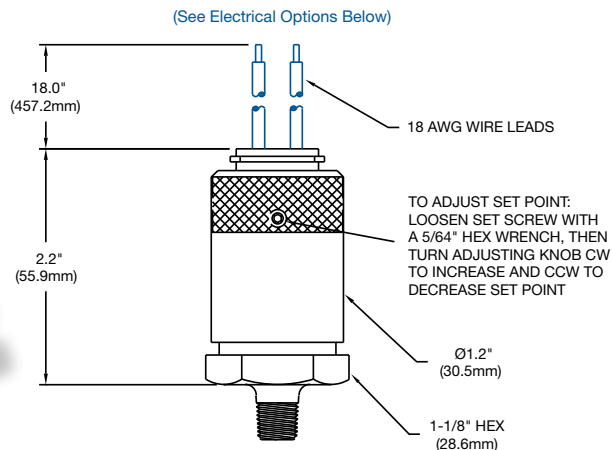
**Operating Specifications**

<b>Set Point Range</b>	10 – 300 PSI	(.69 – 20 Bar)
<b>Set Point Tolerance</b>	±1 PSI or 5%	(.07 Bar)
<b>Maximum Operating Pressure</b>	2000 PSI	(137 Bar)
<b>Proof Pressure</b>	6000 PSI	(413 Bar)
<b>Differential</b>	12 – 24%	
<b>Current Rating</b>	5 A @ 250 VAC	5 A @ 30 VDC (Resistive)
<b>Media Connection</b>	See Order Chart Below for Options	
<b>Circuit Form</b>	SPST-NO or SPST-NC	
<b>Electrical Connection</b>	See Order Chart Below for Options	
<b>Diaphragm Material</b>	Buna N	
<b>Cycle Life</b>	1 Million	

**How to Order** (Example: Part Number: **LM - 6A - 250R / WL**)



\* Defaults to Screw Terminals



### Features

- Long-life elastomer diaphragm
- High-quality snap-action switch
- Field adjustable
- Compact design
- Easily customized
- Quick delivery
- NEMA 4, 13

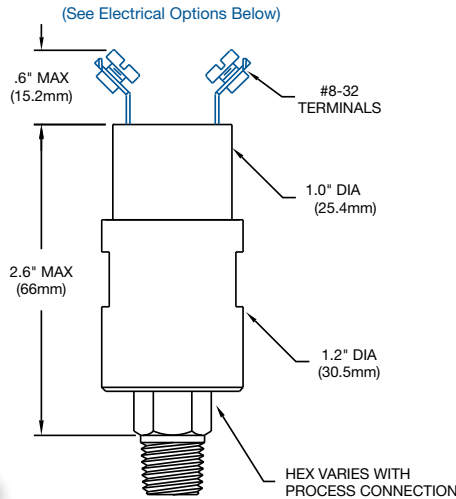
### Operating Specifications

<b>Set Point Range</b>	3 – 120 PSI	(.21 – 8.3 Bar)
<b>Set Point Tolerance</b>	±1 PSI or 5%	(.07 Bar)
<b>Maximum Operating Pressure</b>	250 PSI	(17 Bar)
<b>Proof Pressure</b>	750 PSI	(51 Bar)
<b>Differential</b>	10 – 20%	
<b>Current Rating</b>	3 A @ 125 VAC	2 A @ 30 VDC (Resistive)
<b>Media Connection</b>	See Order Chart Below for Options	
<b>Circuit Form</b>	SPST-NO or SPST-NC	
<b>Electrical Connection</b>	See Order Chart Below for Options	
<b>Diaphragm Material</b>	Buna N	
<b>Cycle Life</b>	1 Million	

### How to Order (Example: Part Number: **CJ - 1B3 - 60J / WL**)

<b>CJ</b> -		<b>1</b>	<b>B</b>	<b>3</b>	-	<b>6</b>	<b>0</b>	<b>J</b>	/	<b>WL</b>
<b>Media Connection</b>	<b>Circuit Form</b>	<b>Range</b>	<b>Desired Set Point</b>	<b>Set Point Direction</b>	<b>Electrical Options</b>					
<b>1</b> 1/4" NPT Male	<b>A</b> SPST-NO	<b>1</b> 3 – 10 PSI	<b>3 – 120 PSI</b>	<b>J</b> Rising Adjustable <b>G</b> Falling Adjustable	<b>WL</b> Wire Leads 18"					
<b>2</b> 1/8" NPT Male	<b>B</b> SPST-NC	<b>2</b> 6 – 30 PSI			<b>WP</b> Weather Pack					
<b>17</b> 1/4" BSPP Male	<b>C</b> SPDT	<b>3</b> 20 – 120 PSI			<b>HM</b> 9.4mm DIN					
<b>28</b> 1/8" BSPP Male		<b>4*</b> 100 – 400 PSI			<b>MP</b> Metri-Pack					
		<b>5*</b> 500 – 1500 PSI			<b>AU</b> Gold Plate/Alloy for low currents					

\* Not yet UL recognized



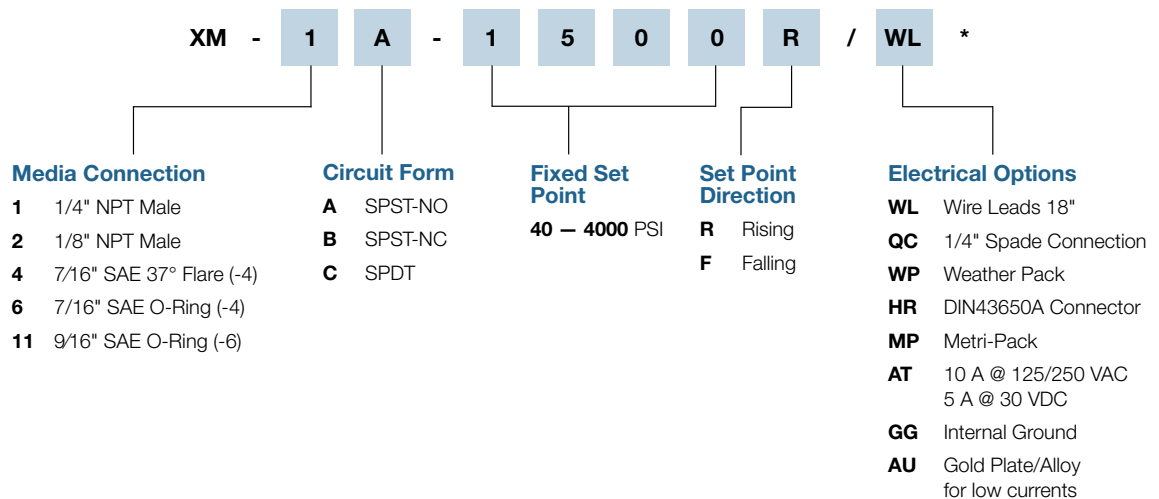
## Features

- Long-life elastomer diaphragm
- High-quality snap-action switch
- Factory preset
- Compact design
- Available in a wide range of configurations
- Proven in the most demanding mobile hydraulic applications
- NEMA 4, 13

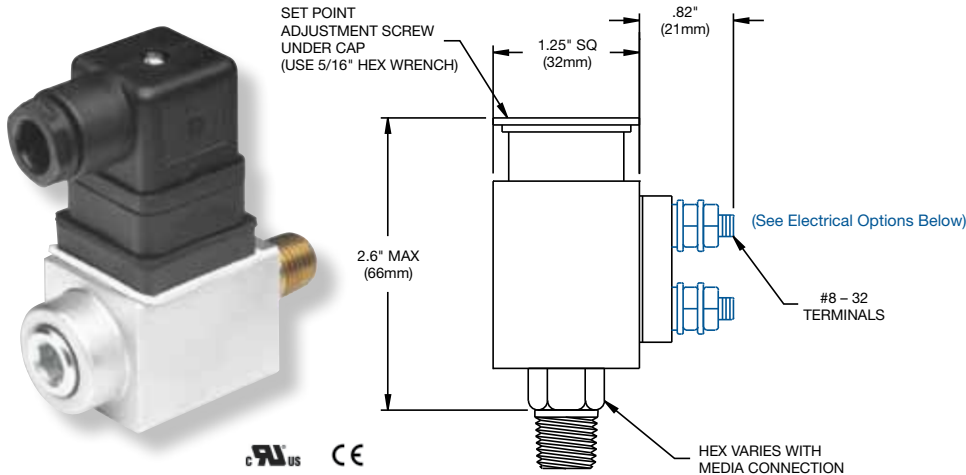
## Operating Specifications

<b>Set Point Range</b>	40 — 4000 PSI	(1.3 — 275 Bar)
<b>Set Point Tolerance</b>	±5 PSI or 5%	(.34 Bar)
<b>Maximum Operating Pressure</b>	5000 PSI	(344 Bar)
<b>Proof Pressure</b>	15000 PSI	(1034 Bar)
<b>Differential</b>	8 — 16%	
<b>Current Rating</b>	5 A @ 250 VAC	5 A @ 30 VDC (Resistive)
<b>Media Connection</b>	See Order Chart Below for Options	
<b>Circuit Form</b>	SPST-NO or SPST-NC	
<b>Electrical Connection</b>	See Order Chart Below for Options	
<b>Diaphragm Material</b>	Buna N	
<b>Cycle Life</b>	1 Million	

## How to Order (Example: Part Number: **XM - 1A - 1500R / WL** \*)



\* Defaults to Screw Terminals



## Features

- Long-life elastomer diaphragm
- High-quality snap-action switch
- Field adjustable
- Compact design
- Available in a wide range of configurations
- Proven in the most demanding mobile hydraulic applications
- NEMA 4, 13

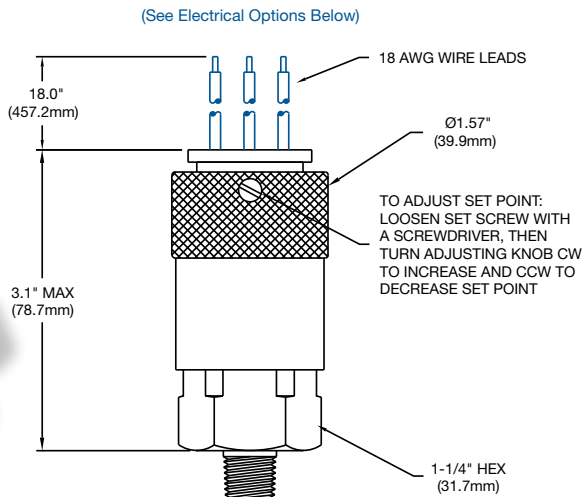
## Operating Specifications

<b>Set Point Range</b>	50 — 5000 PSI	(1.38 — 344 Bar)
<b>Set Point Tolerance</b>	±5 PSI or 5%	(.34 Bar)
<b>Maximum Operating Pressure</b>	5000 PSI	(344 Bar)
<b>Proof Pressure</b>	15000 PSI	(1034 Bar)
<b>Differential</b>	3 — 10%	
<b>Current Rating</b>	5 A @ 250 VAC	5 A @ 30 VDC (Resistive)
<b>Media Connection</b>	See Order Chart Below for Options	
<b>Circuit Form</b>	SPST-NO or SPST-NC	
<b>Electrical Connection</b>	See Order Chart Below for Options	
<b>Diaphragm Material</b>	Buna N	
<b>Cycle Life</b>	1 Million	

## How to Order (Example: Part Number: **WX - 2A - 100J / HR** \*)

<b>WX</b>	<b>-</b>	<b>2</b>	<b>A</b>	<b>-</b>	<b>1</b>	<b>0</b>	<b>0</b>	<b>J</b>	<b>/</b>	<b>HR</b>	<b>*</b>
		<b>Media Connection</b>			<b>Circuit Form</b>	<b>Adjustment Range</b>		<b>Set Point Direction</b>	<b>Electrical Options</b>		
		<b>1</b> 1/4" NPT Male			<b>A</b> SPST-NO	<b>50 — 150 PSI</b>		<b>J</b> Rising Adjustable	<b>WL</b> Wire Leads 18"		
		<b>2</b> 1/8" NPT Male			<b>B</b> SPST-NC	<b>140 — 400 PSI</b>		<b>G</b> Falling Adjustable	<b>QC</b> 1/4" Spade Connection		
		<b>4</b> 7/16" SAE 37° Flare (-4)			<b>C</b> SPDT	<b>300 — 800 PSI</b>			<b>WP</b> Weather Pack		
		<b>6</b> 7/16" SAE O-Ring (-4)				<b>700 — 2500 PSI</b>			<b>HR</b> DIN43650A Connector		
		<b>11</b> 9/16" SAE O-Ring (-6)				<b>2000 — 5000 PSI</b>			<b>MP</b> Metri-Pack		
									<b>AT</b> 10 A @ 125/250 VAC 5 A @ 30 VDC		
									<b>GG</b> Internal Ground		
									<b>AU</b> Gold Plate/Alloy for low currents		

\* Defaults to Screw Terminals



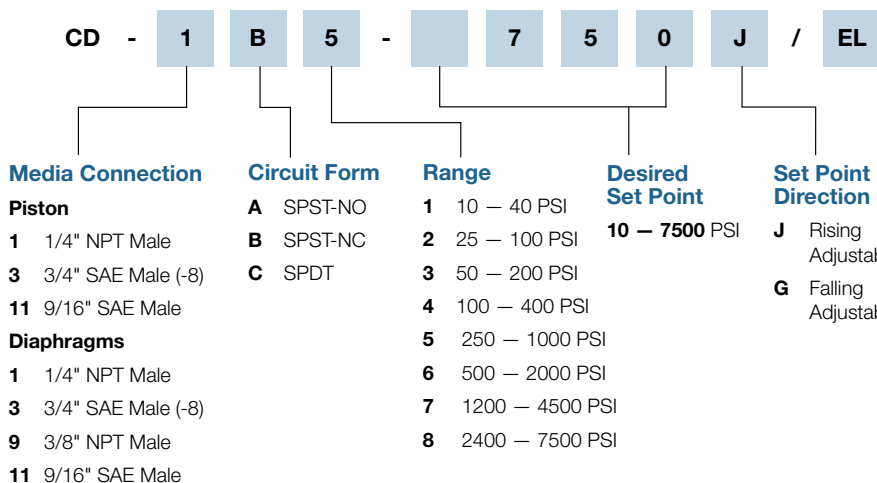
## Features

- Long-life elastomer diaphragm (Ranges 1 – 3)
- Proven sealed piston sensor (Ranges 4 – 8)
- High-quality snap-action switch
- Field adjustable
- Easily customized
- Quick delivery
- NEMA 4, 13

## Operating Specifications

<b>Set Point Range</b>	10 – 7500 PSI	(.69 – 310 Bar)
<b>Set Point Tolerance</b>	±5 PSI or 5%	(.34 Bar)
<b>Maximum Operating Pressure</b>	2000 PSI (Ranges 1 – 3)	(137 Bar)
	5000 PSI (Ranges 4 – 7)	(344 Bar)
	7500 PSI (Range 8)	(517 Bar)
<b>Proof Pressure</b>	6000 PSI (Ranges 1 – 3)	(413 Bar)
	15000 PSI (Ranges 4 – 7)	(1034 Bar)
	22500 PSI (Range 8)	(1551 Bar)
<b>Differential</b>	10 – 20%	
<b>Current Rating</b>	5 A @ 250 VAC	5 A @ 30 VDC (Resistive)
<b>Media Connection</b>	See Order Chart Below for Options	
<b>Circuit Form</b>	SPST-NO or SPST-NC	
<b>Electrical Connection</b>	See Order Chart Below for Options	
<b>Diaphragm Material</b>	Buna (Ranges 1 – 3)	
	Hardened Steel Piston (Ranges 4 – 8)	
<b>Cycle Life</b>	1 Million	

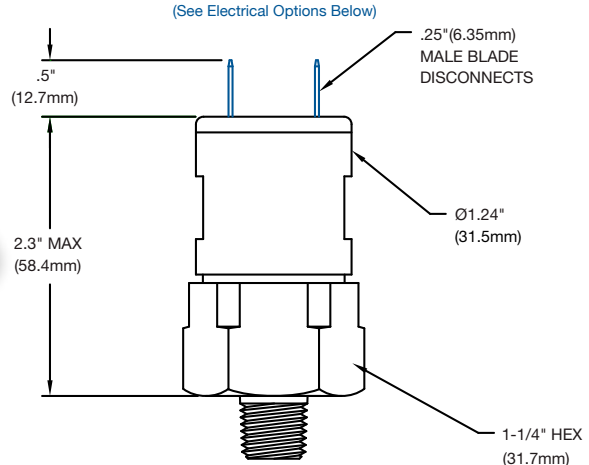
## How to Order (Example: Part Number: **CD - 1B5 - 750J / EL**)



## Electrical Options

- WL** Wire Leads 18"
- EL** Male Conduit 1/2" – 14 With Wire Leads 18"
- EF** Female Conduit 1/2" – 14 With Wire Leads 18"
- HR** DIN43650A Connector
- HH** DIN43650A Plug Only
- QC** 1/4" Spade Connection
- WP** Weather Pack
- MP** Metri-Pack
- WD** Deutsch
- AT** 10 A @ 125/250 VAC  
5 A @ 30 VDC
- AU** Gold Plate/Alloy for low currents





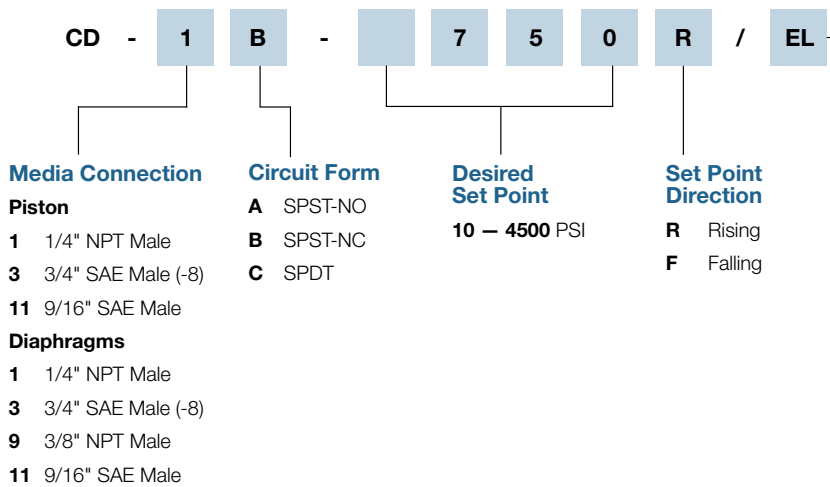
## Features

- Long-life elastomer diaphragm (Set Points: 10 – 300 PSI)
- Proven sealed piston sensor (Set Points: 100 – 4500 PSI)
- High-quality snap-action switch
- Easily customized
- Quick delivery
- NEMA 4, 13

## Operating Specifications

<b>Set Point Range</b>	10 – 4500 PSI	(.69 – 310 Bar)
<b>Set Point Tolerance</b>	±5 PSI or 5%	(.34 Bar)
<b>Maximum Operating Pressure</b>	2000 PSI (Diaphragm Model)	(137 Bar)
	5000 PSI (Piston Model)	(344 Bar)
<b>Proof Pressure</b>	6000 PSI (Diaphragm Model)	(413 Bar)
	15000 PSI (Piston Model)	(1034 Bar)
<b>Differential</b>	10 – 20%	
<b>Current Rating</b>	5 A @ 250 VAC	5 A @ 30 VDC (Resistive)
<b>Media Connection</b>	See Order Chart Below for Options	
<b>Circuit Form</b>	SPST-NO or SPST-NC	
<b>Electrical Connection</b>	See Order Chart Below for Options	
<b>Diaphragm Material</b>	Buna (Diaphragm Design)	
	Hardened Steel Piston (Piston Design)	
<b>Cycle Life</b>	1 Million	

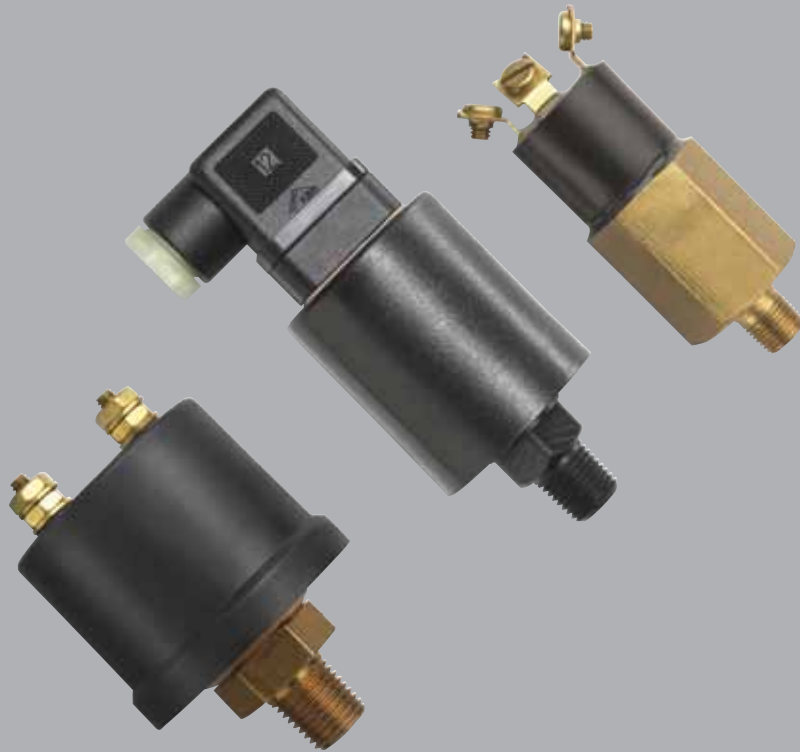
## How to Order (Example: Part Number: **CD - 1B - 750R / EL**)



## Electrical Options

- WL** Wire Leads 18"
- EL** Male Conduit 1/2" – 14 With Wire Leads 18"
- EF** Female Conduit 1/2" – 14 With Wire Leads 18"
- HR** DIN43650A Connector
- HH** DIN43650A Plug Only
- QC** 1/4" Spade Connection
- WP** Weather Pack
- MP** Metri-Pack
- WD** Deutsch
- AT** 10 A @ 125/250 VAC  
5 A @ 30 VDC
- AU** Gold Plate/Alloy for low currents

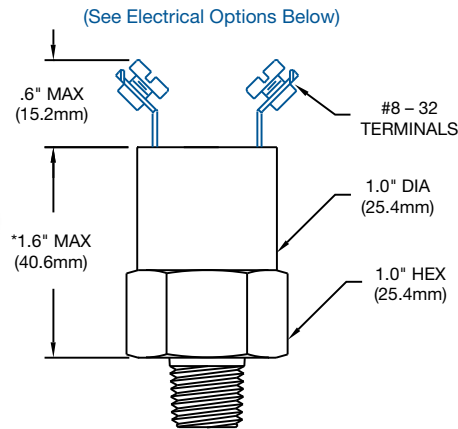
For more media connections, see pages 23-24.  
For more electrical connections, see page 7.



## VACUUM SWITCHES

- 1" to 29" vacuum models available
- Long-life elastomer diaphragms
- High-quality snap-action design
- Factory preset or field adjustable
- Over one million operating cycles
- 100% tested for accuracy
- NEMA 4 and 13 available





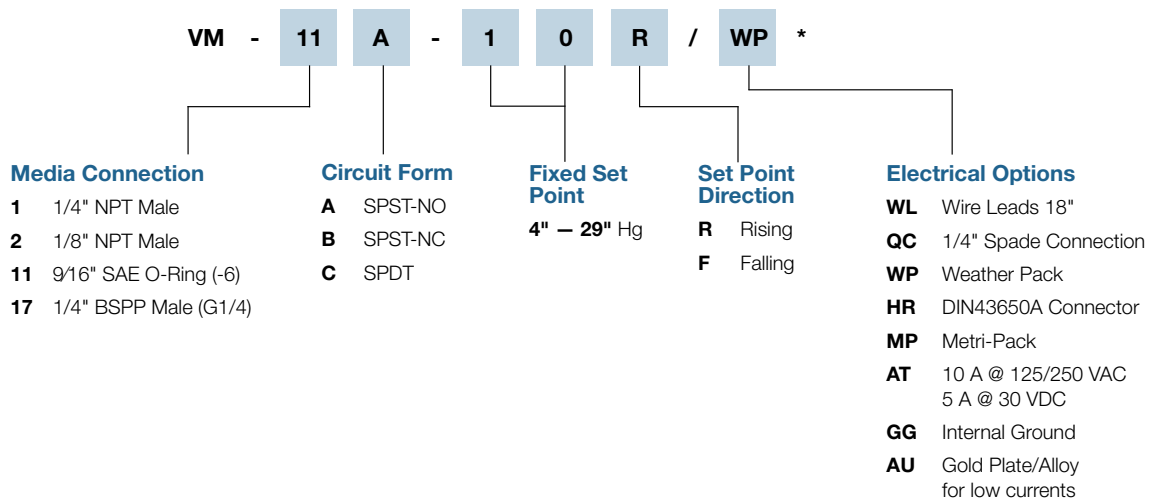
### Features

- Long-life elastomer diaphragm
- High-quality snap-action switch
- Factory preset
- Available in a wide range of configurations
- Economical
- NEMA 4, 13

### Operating Specifications

<b>Set Point Range</b>	4" — 29" Hg	(102mm — 736mm Hg)
<b>Set Point Tolerance</b>	±2" Hg	(50mm Hg)
<b>Maximum Operating Pressure</b>	250 PSI	(17 Bar)
<b>Differential</b>	20 — 40%	
<b>Current Rating</b>	5 A @ 250 VAC	5 A @ 30 VDC (Resistive)
<b>Media Connection</b>	See Order Chart Below for Options	
<b>Circuit Form</b>	SPST-NO or SPST-NC	
<b>Electrical Connection</b>	See Order Chart Below for Options	
<b>Diaphragm Material</b>	Buna N	
<b>Cycle Life</b>	1 Million	

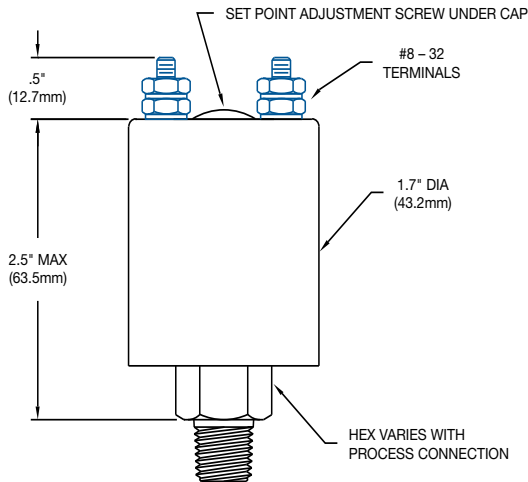
### How to Order (Example: Part Number: **VM - 11A - 10R / WP** \*)



\* Defaults to Screw Terminals



(See Electrical Options Below)



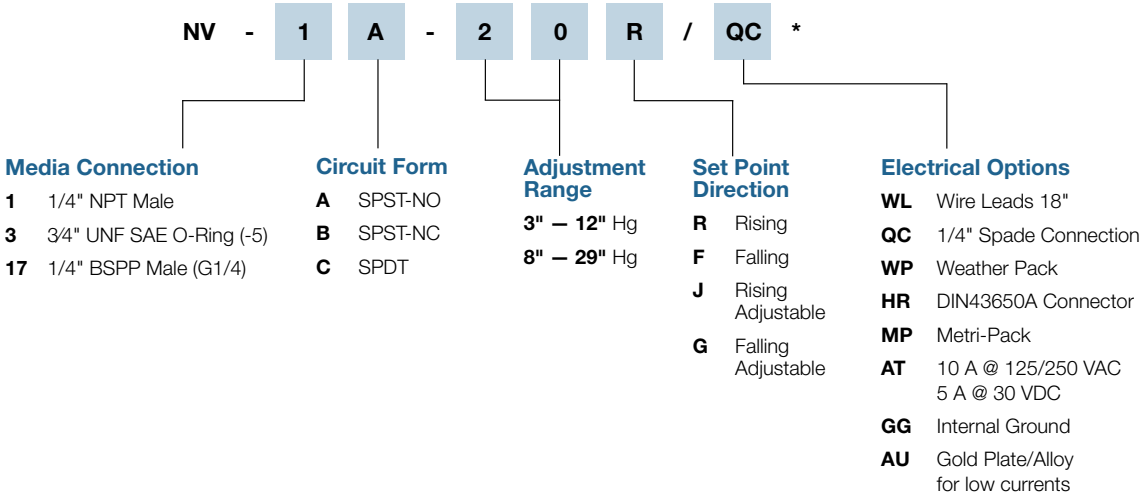
**Features**

- Long-life elastomer diaphragm
- High-quality snap-action switch
- Factory preset or field adjustable
- Available in a wide range of configurations
- Economical
- NEMA 4, 13

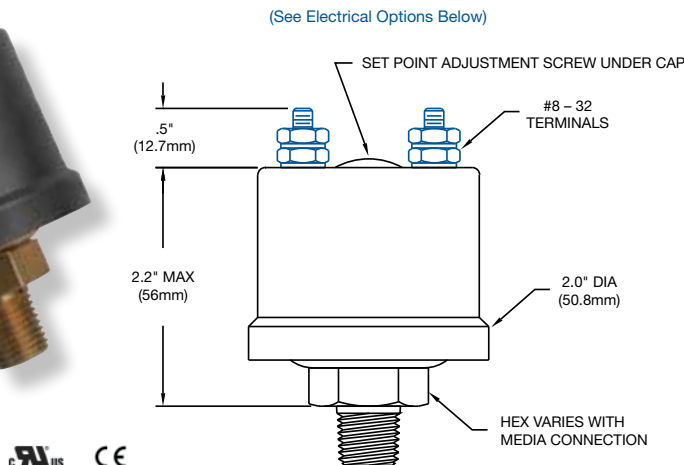
**Operating Specifications**

<b>Set Point Range</b>	3" — 29" Hg	(76mm — 736mm Hg)
<b>Set Point Tolerance</b>	±2" Hg	(50mm Hg)
<b>Maximum Operating Pressure</b>	250 PSI	(17 Bar)
<b>Differential</b>	20 — 40%	
<b>Current Rating</b>	5 A @ 250 VAC	5 A @ 30 VDC (Resistive)
<b>Media Connection</b>	See Order Chart Below for Options	
<b>Circuit Form</b>	SPST-NO or SPST-NC	
<b>Electrical Connection</b>	See Order Chart Below for Options	
<b>Diaphragm Material</b>	Buna N	
<b>Cycle Life</b>	1 Million	

**How to Order** (Example: Part Number: **NV- 1A - 20R / QC**)



\* Defaults to Screw Terminals



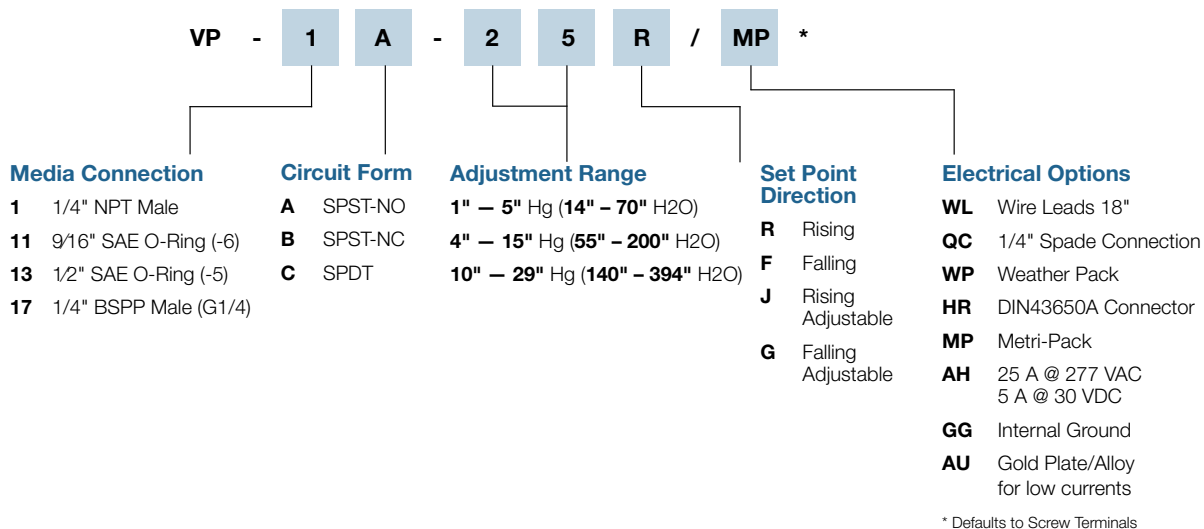
### Features

- Long-life elastomer diaphragm
- High-quality snap-action switch
- Factory preset or field adjustable
- Available in a wide range of configurations
- Economical
- NEMA 4, 13

### Operating Specifications

<b>Set Point Range</b>	1" – 29" Hg	(25mm – 736mm Hg) 14" – 394" H <sub>2</sub> O
<b>Set Point Tolerance</b>	±2" Hg	(50mm Hg)
<b>Maximum Operating Pressure</b>	250 PSI	(17 Bar)
<b>Differential</b>	20 – 40%	
<b>Current Rating</b>	10 A @ 125/250 VAC	5 A @ 30 VDC
<b>Media Connection</b>	See Order Chart Below for Options	
<b>Circuit Form</b>	SPST-NO or SPST-NC	
<b>Electrical Connection</b>	See Order Chart Below for Options	
<b>Diaphragm Material</b>	Buna N	
<b>Cycle Life</b>	1 Million	

### How to Order (Example: Part Number: **VP - 1A - 25R / MP**)



## Pressure / Vacuum Switch Part Number Configuration

(Complete open boxes only. Shaded boxes should have been previously completed on individual switch pages.)

The diagram illustrates the part number configuration structure. It consists of several segments: a Model segment (shaded), a Media Connector segment (open box), a Circuit Form segment (shaded), a Set Point segment (shaded), a Setting Direction segment (shaded), an Electrical Connection segment (shaded), and an Additional Options segment (three open boxes). A Variant #\* is indicated at the end. Lines connect these segments to their respective lists below.

### Wire Length Settings

- 1 3" Wire Length
- 2 6" Wire Length
- 3 12" Wire Length
- 4 18" Wire Length
- 5 24" Wire Length
- 6 36" Wire Length
- 7 48" Wire Length
- 8 60" Wire Length
- 9 Special Wire Length

### Media Connection Modifier

- A** Aluminum
- B** 360 Brass
- N** Nickel Plating
- P** Delrin
- S** Steel
- T** 303 Stainless Steel
- U** 316 Stainless Steel

### Electrical Connection

- HF** DIN43650A 1/2" Conduit (Plug & Receptacle)
- HH** DIN43650A (Plug Only)
- HR** DIN43650A Strain Relief (Plug & Receptacle)
- HP** 9.4mm DIN (Plug Only)
- HM** 9.4mm DIN (Plug & Receptacle)
- MP** Metri-Pack Female 280 Series Sealed (Nason Standard)
- NP** Metri-Pack Male 280 Series Sealed
- CP** Metri-Pack Female 150 Series Sealed
- DP** Metri-Pack Male 150 Series Sealed
- PP** Boot (Military Connector)
- QC** 1/4" Male Spade Quick Connect
- WL** Wire Leads
- WP** Weather Pack (Female)
- TP** Weather Pack (Male)
- EL** 1/2" NPT Male Conduit
- EF** 1/2" NPT Female Conduit
- WD** Deutsch Receptacle
- PD** Deutsch Plug
- HL** Lighted DIN (Plug & Receptacle)
- PT** 10 — 32 Post
- ES** ELST 412
- CL** Sheathed 18 AWG
- SL** SJO Cable

### Additional Options

- 1. Diaphragms**
  - BL** Buna 50 Durometer
  - BT** Buna 431T
  - EP** EP 559 PE
  - EU** Buna 523 EU
  - FS** Fluorosilicone
  - GJ** Viton 514 GJ
  - HN** HNBR 574 BF
  - ND** EP 560 ND
  - NE** Neoprene
  - VT** Viton 514 AD
  - YP** Viton 514 YP
- 2. Contacts\*\***
  - AT** 10 A @ 125/250 VAC  
5 A @ 30 VDC
  - AU** Gold Plate/Alloy for low currents
  - AH** 25 A @ 277 VAC  
5 A @ 30 VDC
- 3. Other**
  - VL** Convolute (for wire leads)
  - GG** Internal Ground
  - NF** NSF Approved

\* Variant # identifies this configuration as unique to a specific customer or application.

\*\* Ask about our new environmentally sealed snap-action switch.

## Pressure / Vacuum Switches

Option	Base Thread Size*	SM	MM	LM	CJ	XM	WX	CD	VM	NV	VP
1	1/4 — 18 NPT Male	•	•	•	•	•	•	•	•	•	•
2	1/8 — 27 NPT Male	•	•	•	•	•	•	•	•	•	
3	3/4 — 16 UNF SAE O-Ring (-5)	•	•		•	•	•	•	•	•	
4	7/16 — 20 37° JIC Flare (-4)			•		•	•				
5	1/4 — 18 NPT Female	•	•			•	•	•			
6	7/16 — 20 SAE O-Ring (-4)	•	•	•		•	•	•		•	•
7	1/4 — 18 NPT Female (Obsolete) See Option 5										
8	1/8 NPT Female	•	•			•	•		•	•	•
9	3/8 — 18 NPT	•	•	•		•	•	•	•		
10	1/4 Female Stainless Steel (Obsolete) See Option 5										
11	9/16 SAE O-Ring (-6)	•	•	•	•	•	•	•	•		•
12	M10 x 1 SAE J2244-3	•	•	•	•	•	•				
13	1/2 — 20 UNF SAE O-Ring (-5)	•	•			•	•	•	•		•
14	1/2 NPT Male 1/8 NPT Female	•	•							•	
15	7/16 — 20 Female SAE O-Ring (D4)					•	•	•			
16	7/16 — 20 Female SAE J 514 37 DEG			•		•	•				
17	1/4 BSPP (G1/4)	•	•	•	•	•	•	•	•	•	•
18	7/16 — 20 ADJ					•	•				
19	1/8 BSPT JIS (PT) Taper	•	•	•		•	•				
20	Tri-Clover					•	•				
21	1/4 BSPP Extended (G1/4)	•	•			•	•		•		
22	1/2 — 14 NPT Brass Male (IS Only)										
23	1/4 — 18 NPT SS Female (IS Only)										
24	10/32 INT 3/8 — 24 EXT	•	•								
25	1/4 NPT Plastic (Obsolete) See Option 1										
26	9/16 — 18 Female 37 DEG SAE J 514 (-6)			•		•	•	•			
27	1/2 BSPT — Male (R12)	•	•						•		
28	1/8 BSPP (G1/8)	•	•		•						
29	3/8 — 24 SAE O-Ring (-3)	•	•			•	•				
30	1/4 BSPT (JIS) (R1/4)	•	•					•	•		
31	Flange (NS Only)										
32	M12 — 1.5 Metric	•	•								
33	Extended Flange (NS Only)										
34	7/16 — 20 MS33649 Female* 14 NPTE (Male)					•	•				
35	1/2 — 14 NPT (Male)	•		•		•	•				
36	9/16 O-Ring Extended Boss (-6)			•		•	•				
37	3/8 — 24 Inverted Flare	•	•	•							
38	9/16 — 12 UNC (SR Only)							•		•	
39	1/4 — 18 NPTF SAE J516 (-4)					•	•				
40	M10X1 SAE J2244-3 (Obsolete) See Option 12										
41	7/16 — 20 Internal 45° Flare — SAE J 513	•	•						•		

\*Call Nason at 800.229.4955 if you don't see the media connection that fits your application. **Note:** Consult factory for materials and stock.

## Pressure / Vacuum Switches

Option	Base Thread Size*	SM	MM	LM	CJ	XM	WX	CD	VM	NV	VP
42	9/16 — 18 ADJ										
43	M10 x 1 SAE J2244-3 Extended	•	•								
44	1/4 — 18 NPT Female Extended					•	•				
45	9/16 — 18 SAE O-Ring Female (-6)					•	•				
46	1/8 NPT Male Clipped Hex	•	•								
47	1/4 — 19 BSPP Female (G1/4)					•	•				
48	9/16 — 18 SAE Male 1/8 NPT Female										•
49	M14 x 1.5 J2244/3	•	•	•		•	•	•			
50	.302 — 32 Female	•	•								
51	M14 x 1.5 (19mm Hex)			•							
52	3/8 — 24 UNF W/ 1/4 BARB	•	•								
53	M12 x 1.5 SAE J2244	•	•	•		•	•	•			
54	1-1/8 Hex 1/4 NPT					•	•				
55	1/2 BSPP					•	•				
56	M10 x 1 Metric Pipe Thread	•	•			•	•				
57	7/16 — 20 1-1/8 Hex					•	•				
58	9/16 — 18 1-1/8 Hex					•	•				
59	1-11 — 1/2 NPT										
60	1/4 SAE J513 Female Flare Deflator	•	•			•	•		•		
61	9/16 — 18 SAE J514 37 DEG Male					•	•	•			
62	1/4 Deflator										
63	1/2 — 20 Extended	•	•								
64	G3/8 (3/8 — 19 BSPP)	•	•								
65	3/4 — 14NPT			•							
66	1/4 Tube Plastic	•									
67	9/16 — 18 SAE O-Ring Face Seal			•		•	•	•			
68	9/16 — 18 SAE O-Ring Face Seal (Female)			•		•					
69	11/16 — 16 SAE O-Ring Face Seal					•	•	•			
70	M10 x 1.25 Female Flare Deflator	•	•								
71	DX Face Seal Mount										
72	11/16 — 16 SAE O-Ring Face Seal (Female)			•							
73	M18 x 1.5								•		
74	Special SM/MM Port Seal	•	•								
75	1/8 — 27 Straight with 1/8 Barb									•	
76	M8 x 1 SAE J2244-2	•	•								
77	M16 x 1.5 SAE J2244-3	•	•								
78	M16 x 1										
79	M14 x 1.5 For Washer Seal										
80	3/8 O-Ring Port Seal	•	•								
81	3/8 — 24 — 3 J512 45° Flare					•					
82	5/16 — 24 For #13 O-Ring Seal	•	•								

\*Call Nason at 800.229.4955 if you don't see the media connection that fits your application. **Note:** Consult factory for materials and stock.